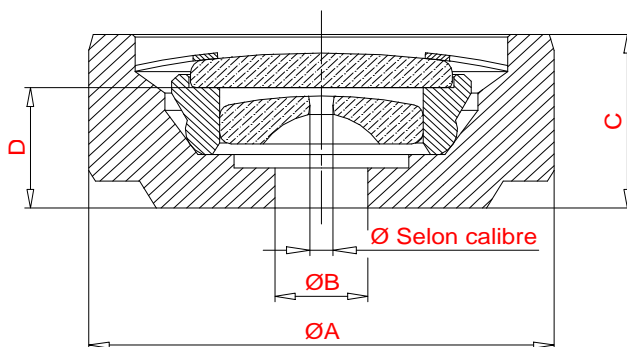


ANTICHOCS SOUS

K I F

P A R E C H O C

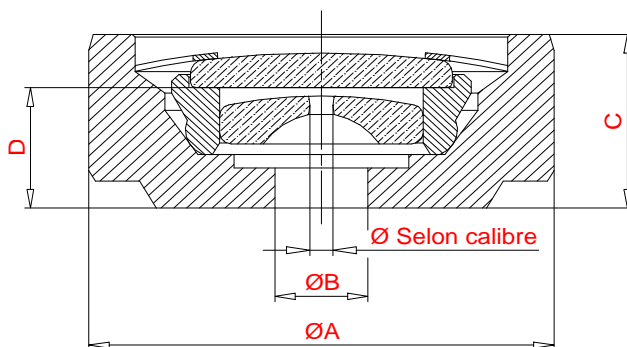


N°ARTICLE	N°CODE	ØA	ØB	C	D	FAMILLE
9131-5961	3-7101	1.60	0.28	0.45	0.28	Elastor
9111-5885	1E-4805	2.50	0.45	0.85	0.60	Trior
9111-6060	1-4905	2.30	0.45	1.10	0.75	Trior
9111-6094	1-4805	2.50	0.45	0.85	0.60	Trior
9111-6578	1-4805	2.50	0.45	0.85	0.60	Trior
9121-6413	2-42	2.10	0.35	0.67	0.40	Flector
9131-5833	93-21	1.60	0.32	0.53	0.35	Elastor
9131-5845	3-4502	2.10	0.38	0.77	0.50	Elastor
9131-5863	3-71	1.60	0.28	0.48	0.28	Elastor
9131-5868	3-22	1.60	0.32	0.65	0.40	Elastor
9131-5894	3-9001	1.60	0.28	0.39	0.22	Elastor
9131-5902	3-71	1.60	0.28	0.48	0.28	Elastor
9131-5903	3-7102	1.60	0.32	0.45	0.28	Elastor
9131-5906	3-21	1.60	0.32	0.60	0.35	Elastor
9131-5912	3-1003	1.60	0.26	0.325	0.195	Elastor
9131-5917	3-1001	1.30	0.27	0.325	0.195	Elastor
9131-5930	3-7101	1.60	0.28	0.45	0.28	Elastor
9131-5939	3-7101	1.60	0.28	0.45	0.28	Elastor
9131-5940	3-1002	1.30	0.35	0.265	0.165	Elastor
9131-5957	3-8001	1.90	0.32	0.50	0.30	Elastor
9131-5976	3-7011	1.60	0.28	0.58	0.39	Elastor
9131-5993	3-4002	2.10	0.38	0.76	0.49	Elastor
9131-5996	3-7001	1.60	0.32	0.60	0.40	Elastor
9131-5999	3-73	1.60	0.32	0.55	0.35	Elastor
9131-6008	3-42	2.10	0.35	0.67	0.40	Elastor
9131-6013	3-31	1.90	0.32	0.62	0.35	Elastor
9131-6015	3-81	1.90	0.28	0.47	0.28	Elastor
9131-6032	3-35	1.90	0.38	0.75	0.50	Elastor
9131-6040	3-4502	2.10	0.38	0.77	0.50	Elastor
9131-6069	3-7101	1.60	0.28	0.45	0.28	Elastor
9131-6072	3-32	1.90	0.38	0.67	0.40	Elastor
9131-6152	3-1004	1.30	0.27	0.36	0.18	Elastor
9131-6166	93-2001	1.60	0.28	0.61	0.40	Elastor
9131-6167	3-81	1.90	0.28	0.47	0.28	Elastor
9131-6173	3-41	2.10	0.38	0.62	0.35	Elastor
9131-6183	3-73	1.60	0.32	0.55	0.35	Elastor
9131-6184	3-25	1.60	0.32	0.75	0.50	Elastor
9131-6235	3-7101	1.60	0.28	0.45	0.28	Elastor
9131-6236	3-7002	1.60	0.28	0.43	0.26	Elastor
9131-6301	3-71	1.60	0.28	0.48	0.28	Elastor
9131-6309	3-32	1.90	0.38	0.67	0.40	Elastor
9131-6331	3-7103	1.70	0.35	0.45	0.28	Elastor
9131-6433	3-31	1.90	0.32	0.62	0.35	Elastor
9131-6439	3-31	1.90	0.32	0.62	0.35	Elastor
9131-6445	3-8101	1.90	0.28	0.45	0.28	Elastor
9131-6740	3-35	1.90	0.32	0.75	0.50	Elastor
9131-6921	5/93-3101	1.90	0.32	0.55	0.35	Elastor

ANTICHOCS SOUS

K I F

P A R E C H O C

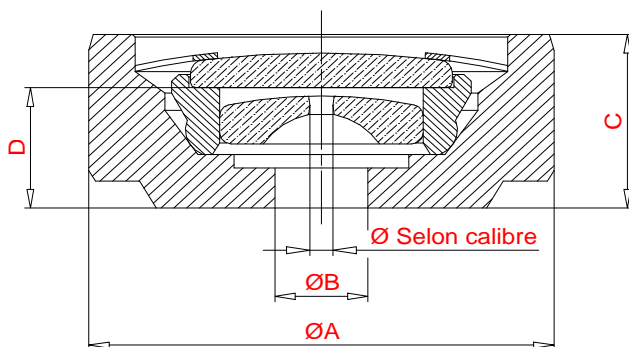


N°ARTICLE	N°CODE	ØA	ØB	C	D	FAMILLE
9131-7079	3-44	2.10	0.32	0.72	0.45	Elastor
9131-7196	3-7104	1.60	0.32	0.46	0.29	Elastor
9131-7217	3-1401	1.60	0.32	0.65	0.45	Elastor
9131-7259	3-1006	1.30	0.27	0.525	0.395	Elastor
9131-7426	3-2502	1.60	0.38	0.75	0.50	Elastor
9131-7638	3-3101	1.90	0.32	0.60	0.35	Elastor
9131-7698	3-3207	1.90	0.32	0.62	0.40	Elastor
9131-7698	3-3207	1.90	0.32	0.62	0.40	Elastor
9131-7698	3-3207	1.90	0.32	0.62	0.40	Elastor
9131-7700	3-2503	1.60	0.32	0.70	0.50	Elastor
9131-7710	3-3208	1.90	0.38	0.62	0.40	Elastor
9131-7735	3-7105	1.60	0.28	0.48	0.32	Elastor
9131-7767	3-4201	2.10	0.35	0.67	0.40	Elastor
9131-7778	3-4003	2.10	0.38	0.76	0.49	Elastor
9131-7809	3-7106	1.60	0.32	0.48	0.28	Elastor
9131-8044	3-7107	1.60	0.28	0.48	0.32	Elastor
9131-8047	3-7108	1.60	0.34	0.65	0.40	Elastor
9131-8102	3-3209	1.90	0.32	0.57	0.40	Elastor
9131-8138	3-1007	1.31	0.27	0.325	0.195	Elastor
9131-8348	3-1005	1.30	0.27	0.39	0.255	Elastor
9131-8419	3-7111	1.60	0.32	0.62	0.44	Elastor
9131-8426	3-1008	1.30	0.35	0.325	0.195	Elastor
9131-8433	3-7112	1.60	0.32	0.74	0.50	Elastor
9131-8446	3-7113	1.60	0.32	0.70	0.45	Elastor
9131-8565	3-7114	1.60	0.28	0.62	0.44	Elastor
9131-8708	3-3210	1.90	0.32	0.70	0.45	Elastor
9131-8777	3-7115	1.60	0.35	0.6	0.4	Elastor
9131-8901	3-9002	1.60	0.32	0.42	0.29	Elastor
9131-8950	3-1009	1.30	0.35	0.325	0.195	Elastor
9131-9006	3-7116	1.60	0.39	0.45	0.28	Elastor
9131-9277	3-7117	1.60	0.38	0.6	0.4	Elastor
9131-9286	3-2504	1.60	0.38	0.70	0.50	Elastor
9131-9373	3-1010	1.30	0.34	0.500	0.330	Elastor
9131-9396	3-7118	1.60	0.38	0.52	0.33	Elastor
9131-9403	3-1011	1.60	0.26	0.325	0.195	Elastor
9131-9701	3-2202	1.60	0.32	0.65	0.40	Elastor
9132-0242	3-3506	1.90	0.33	0.72	0.50	Elastor
9132-0545	3-7119	1.60	0.28	0.43	0.26	Elastor
9132-0768	93-3102	1.90	0.32	0.55	0.35	Elastor
9141-6031	4-41	2.10	0.32	0.62	0.35	Satelor
9141-7574	4-45	2.10	0.38	0.77	0.50	Satelor
9151-5925	5/6-6905	2.50	0.60	2.17		KIF 5
9161-5844	6-6002	2.30	0.45	0.95	0.60	Ultraflex
9161-6100	6-6002	2.30	0.45	0.95	0.60	Ultraflex
9161-6218	6-64	2.30	0.38	0.85	0.50	Ultraflex
9161-7480	6-6401	2.50	0.45	0.85	0.50	Ultraflex
9161-8151	6-6402	2.50	0.45	0.77	0.49	Ultraflex

ANTICHOCS SOUS

K I F

P A R E C H O C



N°ARTICLE	N°CODE	ØA	ØB	C	D	FAMILLE
9161-8417	6-2605	2.10	0.38	0.96	0.69	Ultraflex